



Stone Coated Metal Roof Tiles

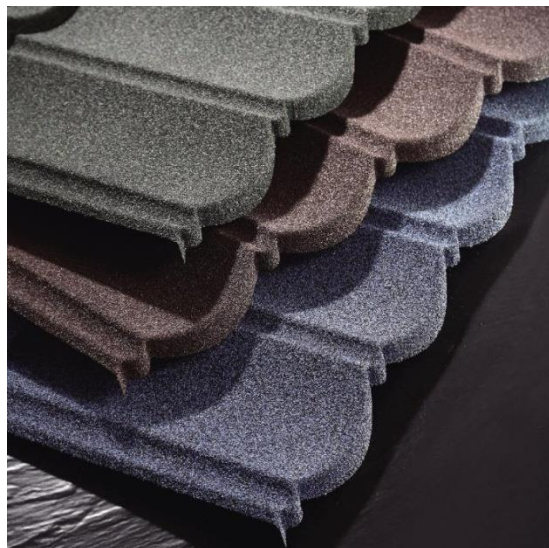


Classical Bond

SKW



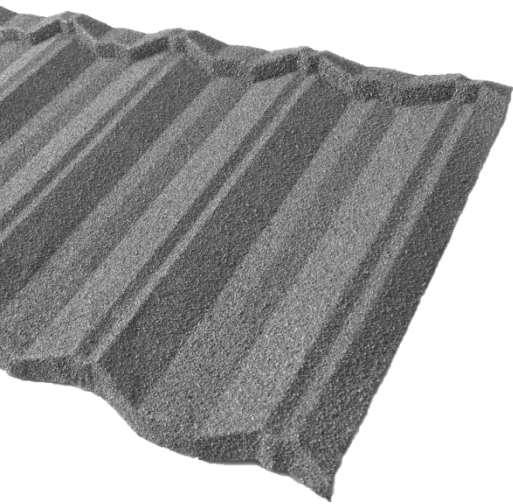
Item	Parameter
Tile Size	1340mm*420mm
Exposure Size	1290mm*370mm
Color	Customized
Thickness	0.25mm-0.55mm
Al-zn coating	40-150g/m ²





New Classical-Nosen

SKW



Item	Parameter
Tile Size	1340mm*420mm
Exposure Size	1290mm*370mm
Color	Customized
Thickness	0.25mm-0.55mm
Al-zn coating	40-150g/m ²



SKW

Wood Shake



Item	Parameter
Tile Size	1340mm*420mm
Exposure Size	1290mm*370mm
Color	Customized
Thickness	0.25mm-0.55mm
Al-zn coating	40-150g/m ²





Shingles



Item	Parameter
Tile Size	1320mm*420mm
Exposure Size	1270mm*370mm
Color	Customized
Thickness	0.25mm-0.55mm
Al-ZN coating	40-150g/m ²





Roman



Item	Parameter
Tile Size	1300mm*420mm
Exposure Size	1250mm*370mm
Color	Customized
Thickness	0.25mm-0.55mm
Al-zn coating	40-150g/m ²



Deep Roman

SKW



Item	Parameter
Tile Size	1300mm*420mm
Exposure Size	1250mm*370mm
Color	Customized
Thickness	0.25mm-0.55mm
Al-zn coating	40-150g/m2



Milano

Item	Parameter
Tile Size	1350mm*420mm
Exposure Size	1290mm*370mm
Color	Customized
Thickness	0.25mm-0.55mm
Al-Zn coating	40-150g/m ²





Slate Tile

Item	Parameter
Tile Size	1320mm*420mm
Exposure Size	1290mm*370mm
Color	Customized
Thickness	0.25mm-0.55mm
Al-ZN coating	40-150g/m ²



SKW



Interlocking-Wood Shake

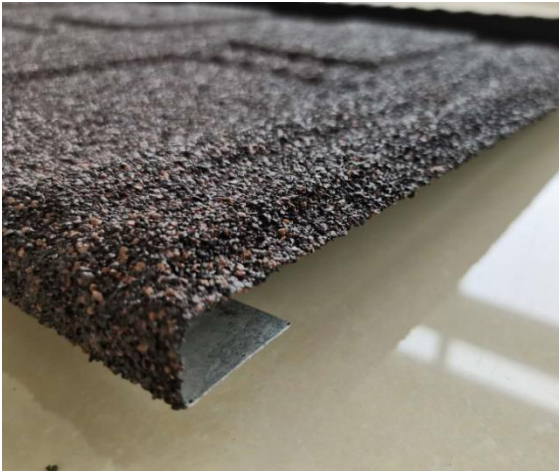
Item	Parameter
Tile Size	1320mm*440mm
Exposure Size	1275mm*375mm
Color	Customized
Thickness	0.45mm
Al-ZN coating	40-150g/m ²



Interlocking Series

Interlocking-Shingles

Item	Parameter
Tile Size	1348mm*365mm
Exposure Size	1290mm*315mm
Color	Customized
Thickness	0.45mm
Al-ZN coating	40-150g/m ²



Trapezoidal

Item	Parameter
Effective Width	900mm
Length	Customized
Color	Customized
Thickness	0.3mm-0.60mm
Al-ZN coating	40-150g/m ²



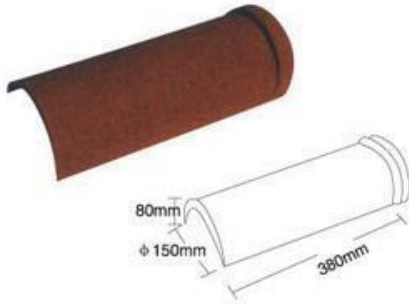
Long-Span Roofing Sheets

Step Arc

Item	Parameter
Effective Width	828mm
Length	Customized
Color	Customized
Thickness	0.3mm-0.6mm
Al-ZN coating	40-150g/m ²



Accessories



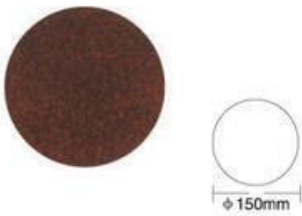
Circular Hip



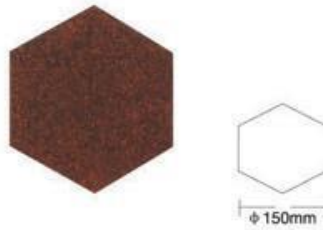
Angle Hip



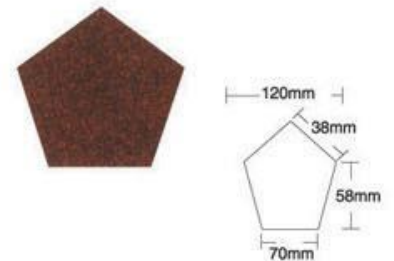
Angle Hip



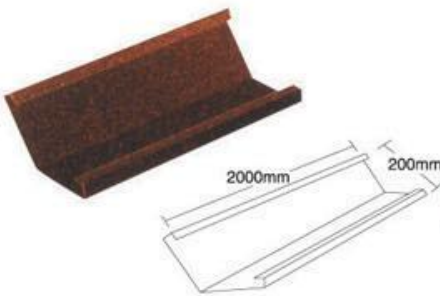
Round seal



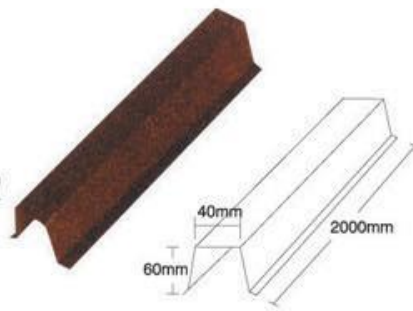
Hexagonal-type seal



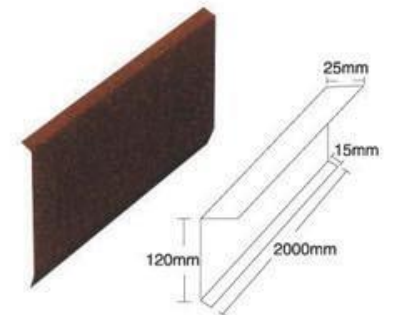
Pentagon-type seal



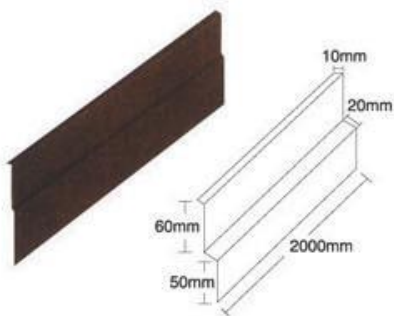
Valley Tray



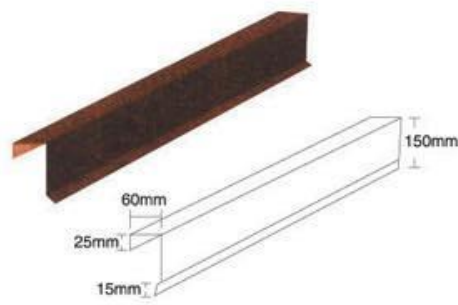
Ridge Hip



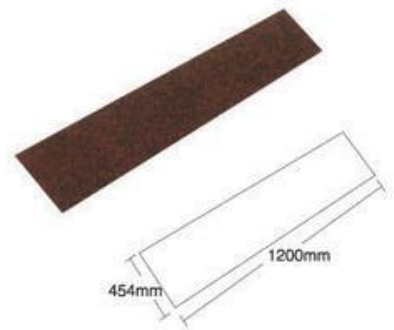
Eaves Flashing



Side Flashing

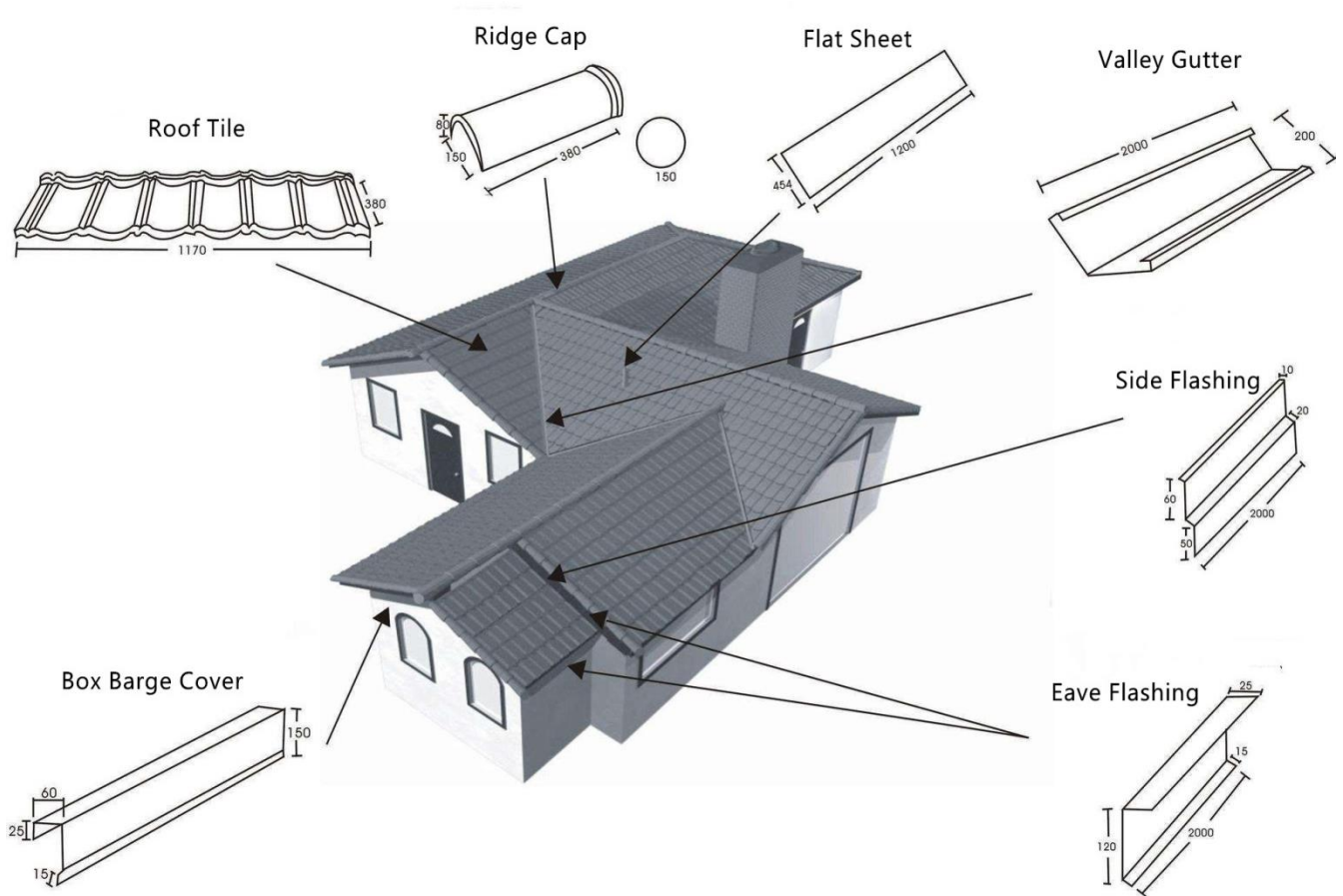


Box Barge Cover



Flat Sheet

Guidance Picture



SKYWALKER CHINA CO., LTD.

ADD.: 6596# Dongfanghong East Road, Dezhou City, Shandong Province, P. R. China

PHONE: +86 0534-2762480

MOBILE: +86 13501312082 (WhatsApp/WeChat - Sue)

WEBSITE: www.skywalkerchina.com;

www.metalroofchina.com